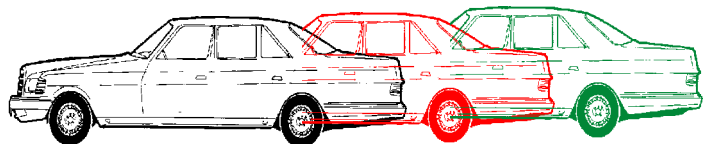


AUDIOVOX®

CCS-100

ELECTRONIC CRUISE CONTROL INSTALLATION MANUAL



INDEX

	Page
1. Cruise Control Installation:	1
Parts List	2
Throttle Connections	3
Wiring	4
2. Control Switch Installation	8
Troubleshooting	9
3. Magnet Kit Installation	12
Speed Sensor Installation	13
4. Warranty	16

HOW THE CRUISE WORKS

The Cruise Module makes "decisions" based upon speed, tachometer, and brake signal information. The control circuit interprets digital speed information from the car's engine control module (VSS) or Magnet Kit and ignition coil output. Brake information comes from the red and purple wires connected to the vehicle's brake switch. Disengagement and no-engagement decisions are based on the monitored information.

An integral part of the cruise is the 'over rev.' protection circuit. It's function is to monitor engine R.P.M. and disengage the cruise control when the clutch is applied or the transmission shift lever is moved in to neutral. When a sudden rise in R.P.M. is detected, the decision to disengage is made for 'over rev' protection, the blue wire must be attached to the negative side of the ignition coil. A noise suppressor 'in series' with the blue wire keeps excessive electrical noise from "fooling" the cruise into disengaging. For this reason make sure all cruise control wiring is at least 1 ft. away from all electromagnetic sources such as: ignition wires, alternator, regulator, and all high current carrying conductors.

NOTE : If your vehicle is not listed in the enclosed reference manual, the Magnet Kit must be utilized. Additional available options: CCS-202 Vacuum Reservoir and CCS-204 Ford adaptor.

WARNING : WHEN TESTING WIRES, USE ONLY A LOGIC PROBE OR VOLT / OHM METER. DO NOT USE A TEST LIGHT, AS THESE CAN CAUSE DAMAGE TO THE ECM OR MAY ACTIVATE THE AIRBAG!

WARNING : DO NOT ATTEMPT TO ROAD TEST ON JACK STANDS OR A LIFT !

CAUTION : BEFORE DRILLING ANY HOLES, BE SURE THAT NO COMPONENTS WILL BE DAMAGED AFTER THE DRILL PENETRATES THE SURFACE.

CAUTION : DO NOT MOUNT OR ROUTE WIRING HARNESSSES OR KIT COMPONENTS ON OR NEAR ANY HOT, SHARP, OR MOVING SURFACES WITHIN THE VEHICLE.

NOTE : IF YOU DO NOT FEEL CONFIDENT THAT YOU CAN SAFELY INSTALL THE CRUISE CONTROL BY YOURSELF, THEN WE RECOMMEND THAT YOU HAVE IT INSTALLED BY A QUALIFIED PROFESSIONAL.

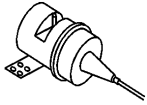
Required Tools

1. Digital Volt OHM meter or logic probe
2. Drill with the following size bits : 1/4" & 1/2"
3. #2 Phillips screwdriver
4. Pliers
5. Side cutter pliers
6. Small wrench or socket set

It is important that you read and fully understand this entire instruction manual before proceeding with the installation. Pay close attention to all cautions and warnings contained in this manual for a safe and trouble free installation.

PARTS LIST

Servo Assembly
(1)



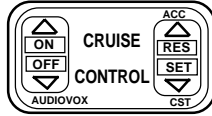
- 1 -

M6 external tooth
star washer
(3)



- 2 -

Dash Mounted control switch
(1)



- 3 -

Tie Straps
(10)



- 4 -

1/2" rubber bulkhead
grommet
(1)



- 5 -

Convuluted tubing
(1)



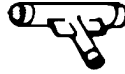
- 6 -

Vacuum hose reducing
nipple
(1)



- 7 -

Assorted Vacuum
T - Connectors



- 8 -

Vacuum Hose - Short
(1)



- 9 -

Vacuum Hose - Long
(1)



- 10 -

Main Wiring Harness
(1)



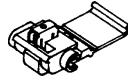
- 11 -

Fused wire with switch
connector
(1)



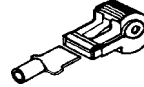
- 12 -

Scotch lock connectors
(4)



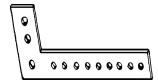
- 13 -

Female T- tap terminal
(1)



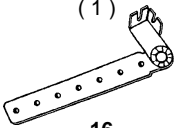
- 14 -

"L" Bracket
(1)



- 15 -

Adjustable cable
mounting bracket assy.
(1)



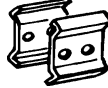
- 16 -

Assorted tube clamps
(4)



- 17 -

Parallel throttle cable
clamps
(1)



- 18 -

GM style threaded
snap in cable anchor
(1)



- 19 -

Bead chain
(1)



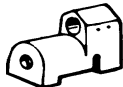
- 20 -

Cotter pin
(1)



- 21 -

Ford snap on throttle
adaptor
(1)



- 22 -

Bead chain coupling
sleeves
(2)



- 23 -

Bead chain coupling
(2)



- 24 -

Bead chain eyelet
connector
(1)



- 25 -

GM throttle clip
(1)



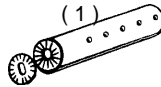
- 26 -

3 bead connector
(1)



- 27 -

Throttle mounting
bracket with locking
washer
(1)



- 28 -

Throttle wire loop
(1)



- 29 -

Barrel wire adaptor
(1)



- 30 -

M6 hex nuts
(3)



- 31 -

M6 x 5/8" long
hex head bolt
(3)



- 32 -

M6 x 3/4" long hex
washer head sheet
metal screw
(4)



- 33 -

Slotted head shoulder
bolt with lock washer
and hex nut
(1)



- 34 -

M5 Phillips hex head
bolt with hex nut
(1)



- 35 -

PROGRAMMING THE SERVO ASSEMBLY

To ensure that the cruise control operates smoothly and safely in your vehicle, the servo assembly must be programmed. In order to properly program the servo assembly, you will need to know the number of cylinders, the type of transmission (manual or automatic), if your vehicle is equipped with a Vehicle Speed Sensor (VSS), and if so, the number of Pulses Per Mile (PPM), also if the cruise control switch is the open or closed circuit style. The dash mount control switch supplied is the open circuit style switch. SW6 should be set to OFF. Refer to the enclosed reference manual for information of VSS and PPM that applies to your vehicle. If there is no VSS signal in your particular vehicle then the Magnet Kit must be used. Mount one magnet to the drive shaft if the vehicle is rear wheel drive and set PPM to 2000. Mount 2 magnets to the drive shaft at 180° apart if the vehicle is front wheel drive and set PPM to 2000. **Note:** When using magnets set Dip Switch #3 to "ON". The sensitivity settings, control the amount of vacuum needed to keep the set speed constant. Remove the (2) screws securing the plastic cover on the back of the servo assembly to gain access to the dip switches. **DIP SWITCH PROGRAMMING TABLE:** Follow the chart below to program the servo assembly.

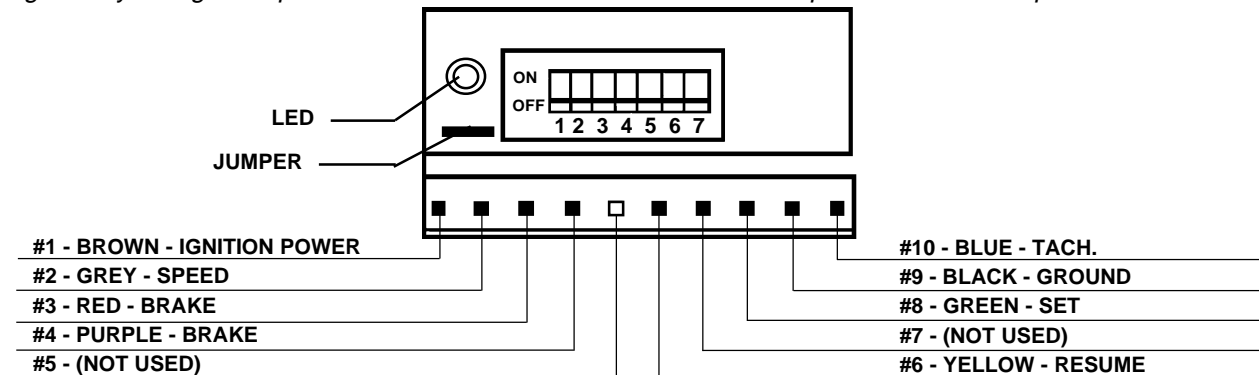
	SW1	SW2	SW3	SW4	SW5	SW6	SW7
PPM							
2,000	OFF	OFF					
4,000	ON	OFF					
5,000	OFF	ON					
8,000	ON	ON					
SPEED SIGNAL							
TACH ONLY			OFF				
VSS or MAGNETS			ON				
SENSITIVITY							
LOW (LIGHT VEHICLES W/HIGH HORSE POWER)				ON	OFF		
MEDIUM (MOST VEHICLES)				OFF	OFF		
HIGH (LOW POWER VEHICLES/HEAVY VEHICLES)				OFF	ON		
CONTROL SWITCH							
NORM. CLOSED						ON	
NORM. OPEN						OFF	
TACH SOURCE SELECT							
ECM							OFF
COIL							ON

* When changing dip switch setting, make sure the 10-pin connector is unplugged from module.

MANUAL / AUTOMATIC TRANSMISSION SELECT

WHEN INSTALLING THIS KIT INTO VEHICLES THAT HAVE A MANUAL TRANSMISSION, YOU MUST REMOVE THE BLACK JUMPER CONNECTOR LOCATED TO THE LEFT SIDE OF DIP SWITCH #1.

NOTE: If the vehicle is a manual transmission and does not have a VSS wire, the cruise will operate from tach signal only. Program dip switch #1 and #2 for 4000 PPM and move dip switch #3 to OFF position.



UNDER HOOD INSTALLATION

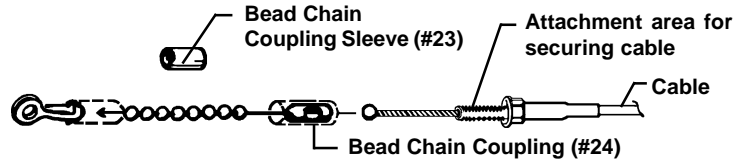
Connecting the Throttle Cable to the Throttle

NOTE: Prior to attaching servo cable to throttle, locate an accessible area to mount the cruise control servo, but do not mount it. Leave the servo in this area (unmounted) and route cable to throttle attachment area.

CAUTION: Attach the cruise control cable so that it parallels the existing throttle cable as nearly as possible. Choose a mounting method from the figures below:

FIG. 1

The bead chain and servo cable end must be inserted into the bead chain connector. Then the bead chain coupling sleeve must slide over bead chain connector to insure that the end will not hang in the connector.

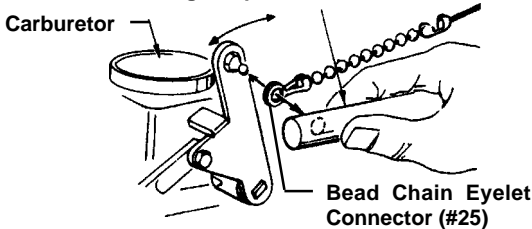


Determine a suitable point on the throttle linkage to mount the cable connector. The mounting point chosen should have between 1-1/2" to 2" total linkage travel. It must operate smoothly by hand. There should be at least 5 beads between the throttle connector and servo cable end. The cable must pull in a straight line from throttle linkage. Some vehicles that do not have enough total linkage travel have to be connected at the accelerator pedal.

FIG. 2

SNAP-ON THROTTLE ARM MOUNT

Existing Snap-On Throttle Arm On Vehicle



Pull off Throttle Arm and Insert Bead Chain Connector between it and Carburetor Arm. Be sure additional thickness of adaptor does not bind linkage.

FIG. 3

CLAMP-ON THROTTLE ARM MOUNT

Cable Must Be within 20° of same angle as Throttle Rod

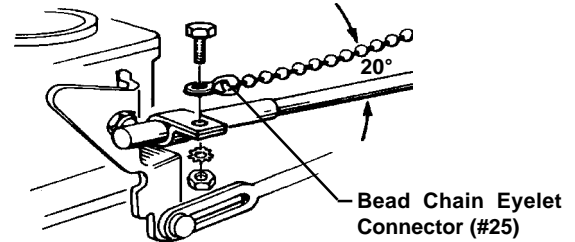


FIG. 4

WIRE LOOP FOR PULLEY

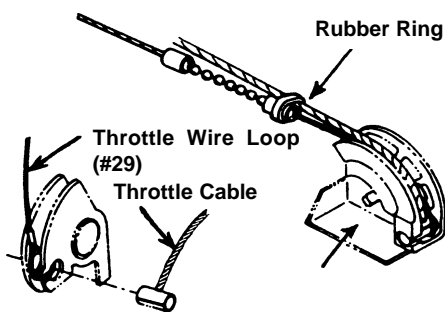


FIG. 5

WIRE BARREL FOR PULLEY

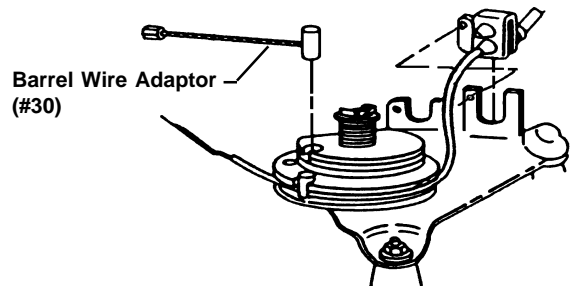
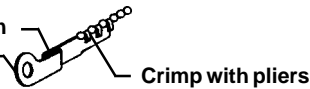


FIG. 6

3 BEAD CONNECTOR

Double fold to shorten
3 Bead Connector (#27)



Bend to clear Throttle Cable

Throttle Arm

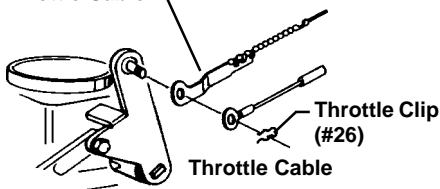


FIG. 7

FORD LINKAGE ADAPTOR

Cotter Pin (#21) locks Bead Chain to Linkage Adaptor

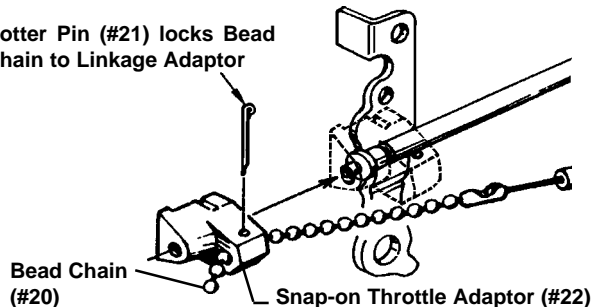
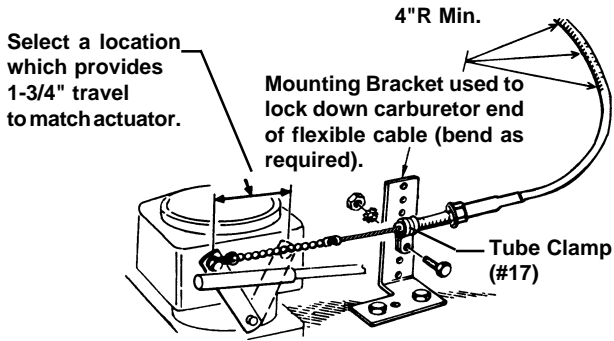
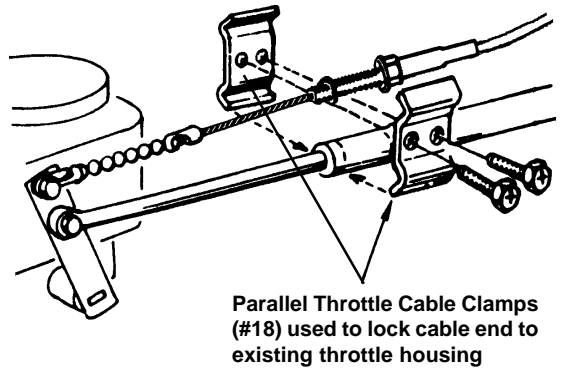
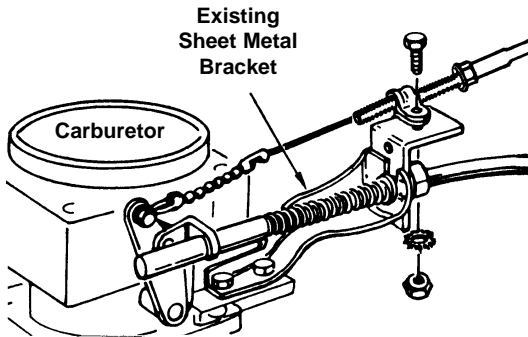
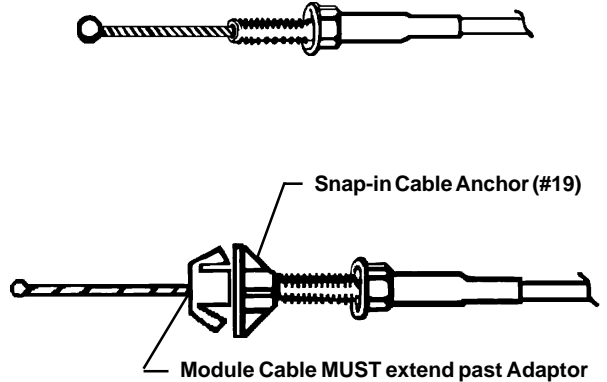
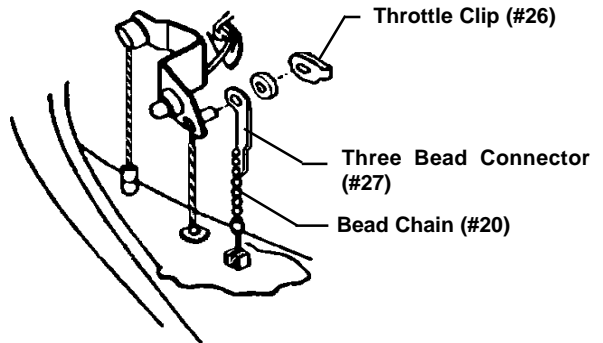
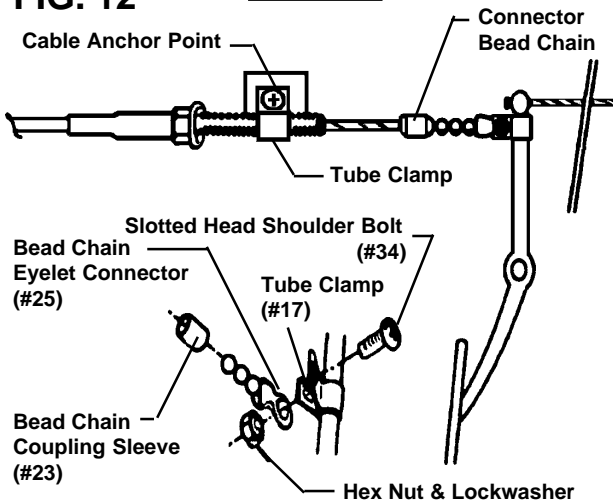


FIG. 8**FLEX CABLE CONDUIT MOUNTING****FIG. 9****ALTERNATE FLEX CABLE MOUNTING TECHNIQUE****FIG. 10****ALTERNATE FLEX CABLE MOUNTING TECHNIQUE****FIG. 11****THREADED SNAP-IN ADAPTOR****FIG. 12****PEDAL PULL**

CAUTION! ATTACH THE CRUISE CONTROL CABLE SO THAT IT PARALLELS THE EXISTING THROTTLE CABLE AS NEARLY AS POSSIBLE.

WARNING! AFTER ATTACHING THE CRUISE CONTROL CABLE TO THE VEHICLE'S THROTTLE, OPERATE THE THROTTLE MANUALLY (FULL TRAVEL) FROM BOTH UNDER HOOD AND ACCELERATOR PEDAL TO BE ABSOLUTELY SURE THAT NONE OF THE CABLE ATTACHMENT COMPONENTS OR BEAD CHAIN CAN RESTRICT OR INTERFERE WITH THE NORMAL THROTTLE OPERATION.

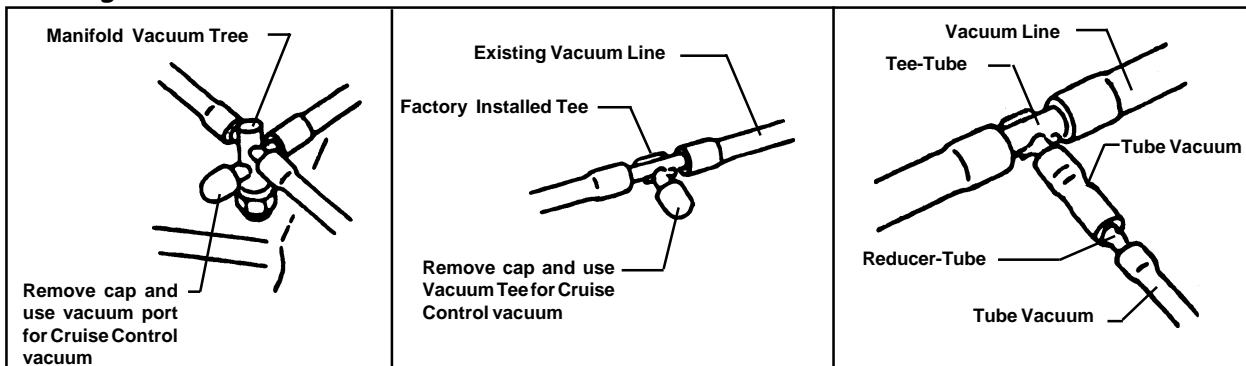
Mounting the Servo Assembly

1. Plug the 10 pin connector from the main harness into the mating connector on the servo assembly, arrange the wires so that they do not cross over one another, and replace the plastic cover with the (2) screws previously removed.
2. A) When selecting the location for the servo, make sure that the cable routing follows a smooth path, with no sharp bends. You must also be sure that the cable is routed away from any hot, sharp, or moving components within the engine compartment.
B) This unit has rapid response valves inside the servo which constantly operate during cruise operation. To prevent noise transferring to inside the passenger compartment we strongly recommend this unit **NOT** be mounted to the fire wall.
3. Using (2) of the M6 x 3/4" long hex washer head sheet metal screws, mount the servo to the selected location. **Do Not mount servo on the engine !**
4. Attach the eyelet terminal on the end of the Black wire to a solid chassis ground bolt within the engine compartment.

Connecting the Vacuum Hose

1. Plug the vacuum hose onto the servo assembly.
2. Route the vacuum hose to an existing vacuum hose that has constant vacuum while the engine is running at idle, trim the hose to length, and make the attachment using the appropriate size T connector from the kit.

See Diagrams below for common vacuum source connection.



WARNING! NEVER CUT OR ATTACH TO THE POWER BRAKE BOOSTER VACUUM HOSE.

Vacuum Test

Look for the vacuum hose coming directly from the intake manifold.

Run the engine at idle, and place your finger over the selected vacuum source. You should feel a strong suction on your finger. Remove your finger and a noticeable change in engine RPM or engine smoothness should result. Note: This vacuum source must maintain at least a minimum of 6 inches of mercury vacuum. If the vacuum is lower than 6 inches while the pedal is depressed, then a vacuum canister must be used.

Routing the Main Wiring Harness

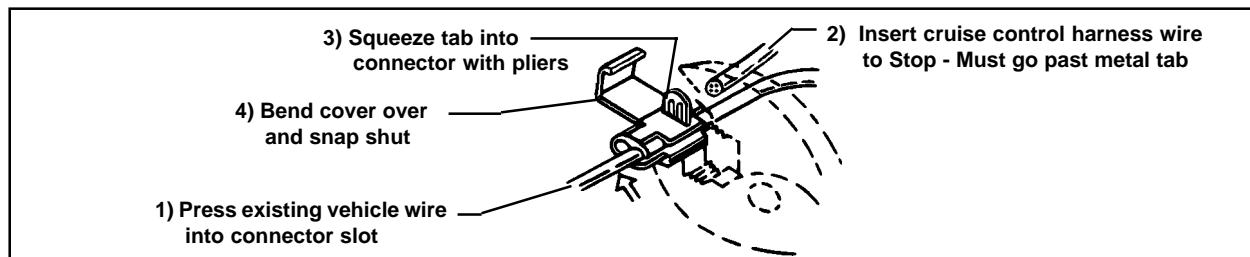
1. Locate your vehicle by make, model, and engine size in the included Reference Manual in order to identify the location of the VSS and Tach connection locations. If your make and model cannot be located, then the Magnet Kit must be installed. Follow the installation instructions included in this manual.

In all cases, you will need to route the Brown, Green, Purple, Yellow, and Red wires through the bulkhead to the passenger compartment of the vehicle.

The Blue wire will need to be routed to the tach location, and the Grey & Black twin lead will need to be routed to the VSS or magnet speed sensor location. If either of these locations are in the passenger compartment, they will need to be routed with the Brown, Green, Purple, Yellow, and Red wires.

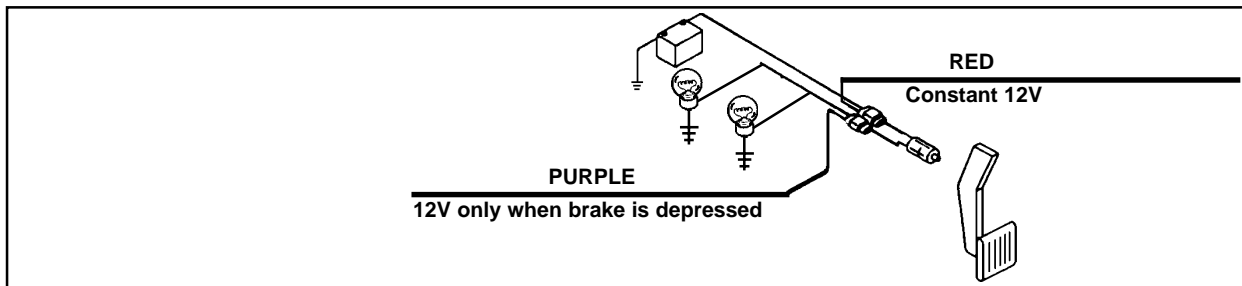
2. Route the wires that will pass through the bulkhead away from any hot or moving components within the engine compartment, and be sure that they are routed to a point lower than the grommet that will be used for entrance into the passenger compartment. This will prevent water from running along the wires and into the passenger compartment.

NOTE : FOR EASE OF INSTALLATION, YOU SHOULD USE AN EXISTING RUBBER GROMMET WHEN PASSING WIRES THROUGH THE BULKHEAD. IF AN EXISTING GROMMET IS NOT AVAILABLE, CAREFULLY DRILL A 1/2" WIRE ENTRANCE HOLE IN THE BULKHEAD, AND USE THE RUBBER GROMMET SUPPLIED IN THE KIT.



WIRING CONNECTIONS

1. Blue Wire : Connect this wire to the vehicle's negative side of the ignition coil using the blue Female T tap terminal provided.
2. Grey and Black Pair Wires : 1) If the vehicle has VSS wire then remove spade terminal and connect the grey wire to the vehicles VSS wire using the red scotch lock connector provided. The black wire is not used.
2) If the vehicle has no VSS wire then connect both the black spade terminal and the grey spade terminal to the magnet speed sensor.
3. Purple Wire : Connect this wire to the vehicle's brake light wire at the brake light switch. (This is the wire that turns the brake lights on when the brake pedal is pressed). This wire will show +12 volts when the brake pedal is pressed and 0 volts when released. See diagram below.
4. Red Wire : Connect this wire to the constant + 12 VDC battery source to the brake light switch. (This is the wire that remains at 12 volts whether the brake pedal is pressed or not). See diagram below.



5. Locate the fused wire with switch connector included in the kit, and load the Brown, Green, and Yellow wires from the main harness into the 4 pin switch connector. Be sure to load the wires according to the color coded label on the connector, and press the terminals in fully until a click is heard.
6. Orange Wire : Connect the Orange wire from the fuseholder to a wire in the vehicle that shows + 12 VDC when the ignition key is switched On and 0 VDC while cranking and when the key is switched OFF. Use a blue scotch lock connector to make this connection.

DASH MOUNTED (normally open) CRUISE CONTROL SWITCH INSTALLATION

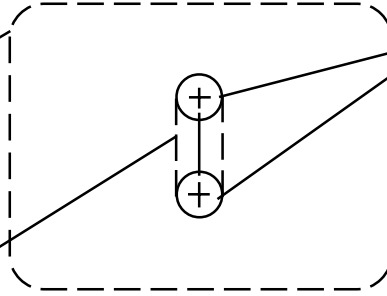
1. Choose a flat location on the dashboard that is visible while driving. The location should be very accessible to the driver, allowing easy activation of the switch while operating the cruise control. A template has been provided to confirm that there is adequate space for mounting the switch in the selected location. (Fig.1)
2. After the location is selected, check the area behind the panel to be sure that the wires can be routed to the cruise control harness connector. You should also make sure that the drill will not damage any components or wiring behind the panel, and it is always best to remove the panel before drilling.
3. Drill (2) 1/4" diameter holes in the location marked on the template. After drilling, use a file or razor knife to remove the dash material between the (2) holes.
4. Clean the area of the dashboard where the switch will be mounted, and allow any cleaning fluids to dry completely.
5. Pass the wires from the switch through the hole in the panel, remove the paper lining from the mounting pad on the back of the switch, properly align the switch, and firmly press in place on the panel. (Fig.2)
6. Route the 6 wires from the switch to the control switch connector from the cruise control main wiring harness. Be sure to avoid any sharp or moving surfaces when routing wires, and secure the wires along their path using tie straps.
7. Plug the terminated ends of the Red, Brown, Green and Yellow wires into the color coded locations on the connector. Be sure that the terminals click, and are fully seated in the connector. (Fig.3)
8. Plug the switch connector into the mating connector on the main cruise control harness.
9. Connect the Black wire from the switch to a known chassis ground source.
10. Connect the Grey wire from the switch to the parking light wire in the vehicle. When probed, the parking light wire will read +12 VDC when the parking lights are on, and 0 VDC when the parking lights are off. The Grey wire controls the backlighting of the switch, and the switch will not illuminate if the Grey wire is left disconnected. You must connect all other wires from the switch, or the cruise control will not operate.

Figure 1

DASH BOARD TEMPLATE

Carefully cut-out along dotted lines and place on selected area.

Use a file or razor knife to remove the material between the 2 holes.



Drill 1/4" Dia. holes, (2 places).

Figure 2

CONTROL SWITCH MOUNTING

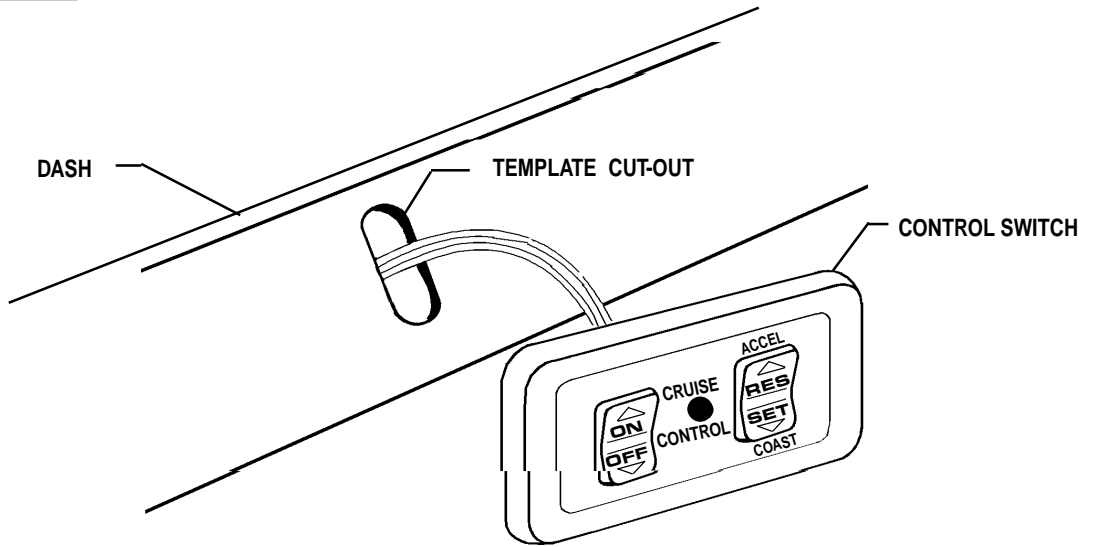
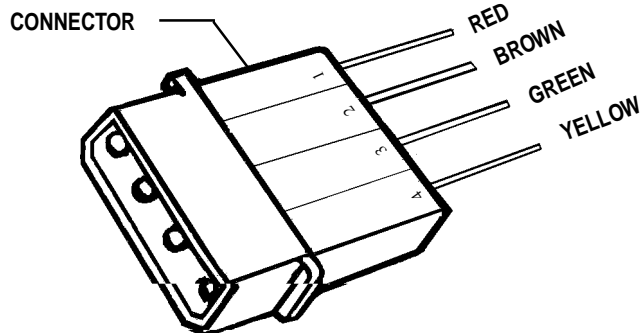


Figure 3

CONTROL SWITCH CONNECTIONS



ROAD TESTING THE CRUISE CONTROL

Be sure to fully test all functions of your new cruise control on a level surface away from pedestrian and vehicle traffic. While travelling 35 M.P.H. turn switch on, then press Set button. Unit will engage when Set button is released. To disengage, tap on brake or turn switch off - cruise will disengage. Follow same procedure at 45 M.P.H. and at 55 M.P.H. If unit is inoperative, open cover on cruise and look at the L.E.D. Press Set button, L.E.D. should light. Press Resume button, L.E.D. should light. Step on the brake, L.E.D. should light. If L.E.D. does not light then check wiring. If the vehicle's speed drops considerably when travelling up hills, you may need the optional vacuum booster canister. Call 1 - 800 - 225 - 6074 for additional assistance.

ON / OFF : Move the ON / OFF switch to the ON position. Nothing will happen, as this simply prepares the system for operation.

Each time the ignition switch or the cruise control switch is turned OFF, the system is de - energized. To re-energize the system, the ignition switch must be turned on, and the cruise control switch must be moved to the ON position. The cruise control switch can be left On at all times without causing any damage to the system.

SET SPEED : After turning the system On, wait at least 3 seconds before attempting to set your speed. To operate the system, drive the car at a steady speed above 35 M.P.H.

Press the SET / COAST switch and release it, then slowly remove your foot from the accelerator pedal. Your SET SPEED is now programmed into the cruise control's memory, and your driving speed should remain within 2 M.P.H. of your set speed.

If you want to increase your speed, simply press on the accelerator pedal. When you release the pedal, you will return to your original SET SPEED.

ACCEL : You can increase your SET SPEED using the RESUME / ACCEL feature. Your vehicle will accelerate as you hold this switch to the RESUME / ACCEL position. When you release the switch, your SET SPEED will be re - programmed to the present speed of the vehicle.

TAP UP : You can also increase your SET SPEED gradually by quickly pressing and releasing the RESUME / ACCEL switch. Each time you press and release the switch, your speed will increase by approximately 1/2 M.P.H.

TAP DOWN : You can also decrease your SET SPEED gradually by quickly pressing and releasing the SET / COAST switch. Each time you press and release the switch, your speed will decrease by approximately 1/2 M.P.H.

COAST : To reduce your SET SPEED, press and hold the SET / COAST button. This erases the previously programmed SET SPEED, and allows the vehicle to coast. Just before slowing to the speed you want, release the button. Your present speed will be re - programmed as the new SET SPEED, providing the vehicle is traveling faster than 35 M.P.H.

RESUME : Whenever you use the brake pedal to slow or stop the vehicle, the cruise control will disengage but retain the programmed SET SPEED. To return to the SET SPEED, accelerate to a speed above 35 M.P.H., then press and release the RESUME / ACCEL switch. The vehicle will automatically accelerate to the programmed SET SPEED, and hold that speed.

When using the RESUME feature with standard transmission, you should be in the correct gear for your SET SPEED.

DISENGAGE : You can disengage from the SET SPEED in two or three ways, depending on the type of transmission (manual or automatic) in the vehicle.

- Gently tap the brake pedal to activate the brake lights.
- Turn the control switch to the OFF position.
- For manual transmissions, depress the clutch. This will cause the engine to rev slightly before disengaging.

TROUBLE SHOOTING

WIRING - 10 PIN CONNECTOR

Note : If the brown, green, or yellow wires do not test properly, proceed immediately to the testing of the 4 pin control switch testing.

POS	WIRE COLOR	FUNCTION
9	Black	Always continuity to ground
3	Red	Always + 12 VDC
1	Brown	+ 12 VDC with Ignition switch and cruise control switch ON. 0 VDC with Ignition switch or cruise control switch OFF.
4	Purple	+ 12 VDC when the brake pedal is pressed. 0 VDC when the brake pedal is released.

To test the Green and Yellow wires, the Ignition Switch **and** Cruise Control Switch must both be turned on and left ON.

OPEN CIRCUIT SWITCH

8	Green	+ 12 VDC when the SET / COAST switch is pressed. 0 VDC when the SET / COAST switch is released.
6	Yellow	+ 12 VDC when the RESUME / ACCEL switch is pressed. 0 VDC when the RESUME / ACCEL switch is released.

CLOSED CIRCUIT SWITCH

8	Green	0 VDC when the SET / COAST switch is pressed. +12 VDC when the SET / COAST switch is released.
6	Yellow	+ 12 VDC when the RESUME / ACCEL switch is pressed. 0 VDC when the RESUME / ACCEL switch is released.

10 Blue Engine RPM. Increasing AC Voltage with engine speed.

2 Grey

Vehicle Speed Sensor:

Factory VSS: Roll vehicle forward (approx. 3 feet), in neutral with Ignition and Cruise Control On. L.E.D. should flash.

Magnets or Fords: Drive at 30 M.P.H. approx. 500-1000 milivolts AC.

4 PIN CONTROL SWITCH TESTING

Red - +12 VDC with Ignition Switch ON.

Brown - Same as Pos 1 above.

Green - Same as Pos 8 above.

Yellow - Same as Pos 6 above.

MAGNET KIT INSTALLATION

MAGNET AND SPEED SENSOR COIL INSTALLATION

The magnets, along with the speed sensor coil provide pulses to calculate road speed for the cruise control. When the drive shaft rotates, the magnets attached to it move by the speed sensor coil. This generates electrical pulses which are monitored by the cruise control.

This installation will require access to the vehicles drive shaft/axle. The drive wheel end of the vehicle will need to be lifted-up and supported with jack stands. **IF YOU CANNOT SAFELY INSTALL THE MAGNET AND SPEED SENSOR COIL YOURSELF, THEN WE RECOMMEND THAT YOU HAVE IT INSTALLED BY A QUALIFIED PROFESSIONAL.**

MAGNET LOCATION:

Rear wheel drive vehicles: Magnet location is not to exceed 12 inches (30 cm) from the front (transmission end) universal joint, or damage may result from the lateral movement of the drive shaft. See Figure 1.

Front wheel drive vehicles: Select either the right or left axle shaft near the transmission housing. Select the side with the best accessibility, and insure there is adequate clearance for the mounting magnets and speed sensor coil. See Figures 6 or 7.

NOTICE: It is important to keep the magnets as close to the transmission's housing as possible. Leave adequate clearance from the catalytic converter and exhaust pipes.

Step 1: Clean the magnet mounting location. Use coarse sandpaper or a wire brush to clean the axle surface. Complete by wiping with cleaning solvent.

Step 2: Rear wheel drive vehicles require one magnet to be secured to the drive shaft.

Front wheel drive vehicles require two magnets to be secured to the drive axle.

Step 3: Cut a 2" strip of paper approximately 11" long. Wrap this strip around the drive shaft and mark paper as shown in Figure 2. This will give you the total distance around the drive shaft (circumference). Cut the strip at this mark.

Step 4: Measure length of the strip and divide this number by the number of magnets (per Step 2) your vehicle requires. Mark these locations on the strip. These are the center lines for the magnets.

Step 5: Tape the strip around the drive shaft at the location chosen for the magnets. Remove backing paper from double sided foam and press onto the magnet. Remove remaining strip of backing paper and place the magnet or magnets on the cleaned drive shaft/axle, not the paper. Be sure magnet tabs are lengthwise on the shaft. See Figures 4 or 9. Then remove the paper strip.

Step 6: While rotating the shaft, carefully snap one wire into one set of magnet slots. Loosely wrap the wire to hold it in place. Snap the second wire into the remaining slots making sure the ends are nearly opposite the first wire, as shown in Figure 4 or 11.

Step 7: Carefully pull wires tight, and twist with a pair of pliers, pulling down as you twist to avoid breaking the wire. Now take the loose ends and wrap through the opposite wire, and twisting as above to remove any excess slack, see Figure 4. This procedure will secure the magnets onto the drive shaft. The double-faced tape is used to temporarily hold the magnets until the wire is attached.

Step 8: Spin the drive shaft by hand and check to ensure proper clearance. Remember that the drive shaft position will change with the suspension. See Figures 3 or 8.

SPEED SENSOR COIL INSTALLATION

Step 9: Assemble the speed sensor coil and bracket with nut and lock washer. Use of mounting bracket will be determined by the specific installation. Refer to Figures 5 or 10. In some cases installation may be easier if the bracket is bent or cut to a specific shape.

Step 10: Determining the location for the speed sensor/bracket assembly: The speed sensor coil must be pointing directly at the centerline of the shaft leaving a 3/8" (10 mm) clearance between the speed sensor coil and the magnets. See Figures 8.

CAUTION: Before drilling any holes, make sure there are no parts which may be damaged on the other side of the metal. Double check for any wiring harness which might be easily damaged by the drill bit.

Step 11: Use the bracket as a template to mark and center punch two hole locations. Drill two 3/16" diameter holes. Mount the speed sensor/bracket assembly using two 1/4" x 3/4" sheet metal screws. Be sure bracket is mounted securely so it will not vibrate during vehicle movement.

NOTICE: If the speed sensor coil is closer than 1/4", there is a possibility that the magnets will strike the coil. If the coil is more than 1/2" from the magnets, the cruise control may not function properly.

NOTE: Make sure the black and gray wires are routed clear of any hot or moving parts as well, away from electrical items such as spark plug wires or ignition systems. Interference from these sources could cause the cruise control to surge.

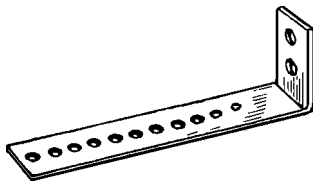
WIRING:

Step 12: Route the black and gray paired wires to the speed sensor coil and attach to the terminals. (It does not matter which way the wires are attached, i.e. polarity).

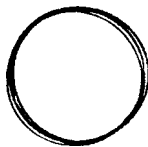
NOTE: This magnet kit cannot be used on Honda vehicles.

MAGNET KIT HARDWARE:

Speed Sensor Bracket



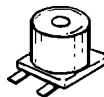
Stainless Steel Wire



Magnet with Holder



Speed Sensor Coil



6mm Lockwasher



6mm Hex Nut



1/4" x 3/4"
Sheet Metal Screw



INSTALLATION - REAR WHEEL DRIVE VEHICLES

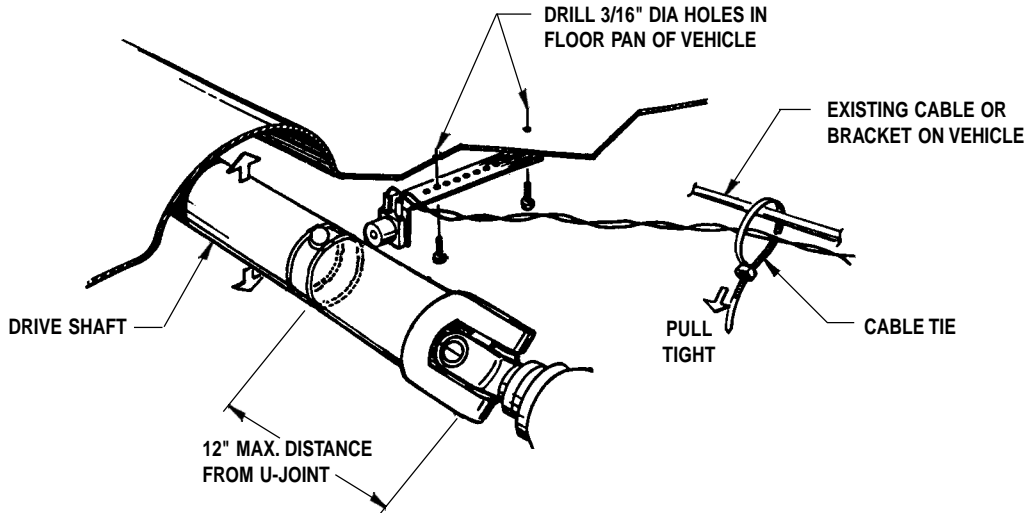


Figure 1

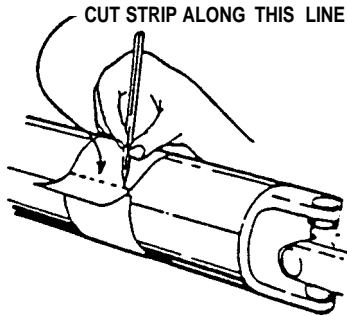


Figure 2

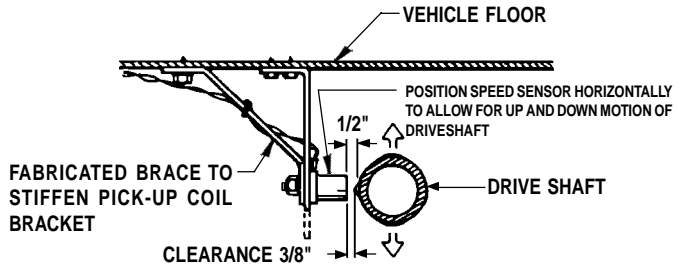


Figure 3

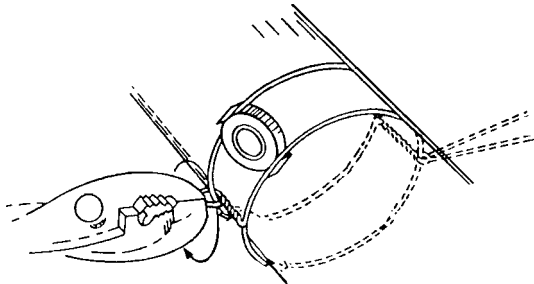


Figure 4

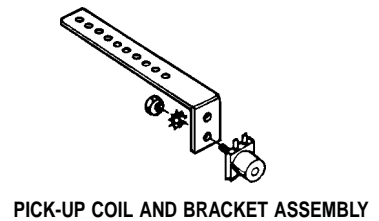


Figure 5

INSTALLATION - FRONT WHEEL DRIVE VEHICLES

TRANSMISSION
AXLE HOUSING

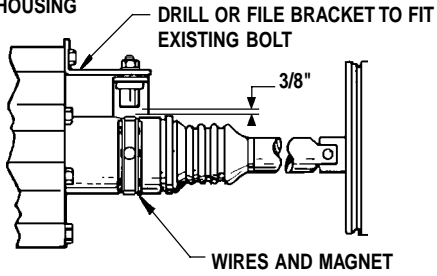


Figure 6

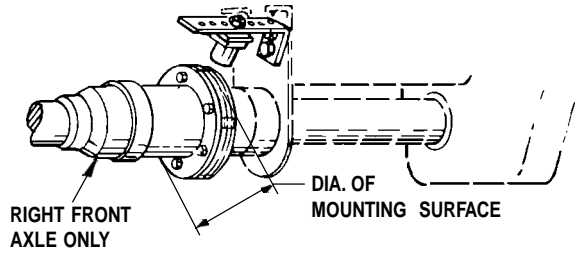


Figure 7

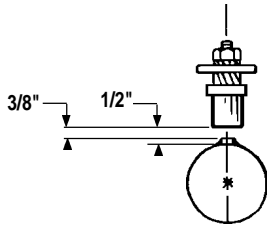


Figure 8

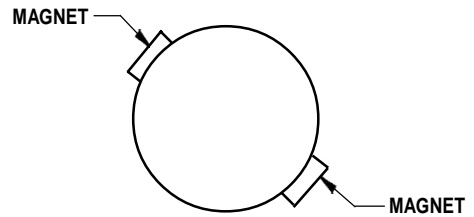


Figure 9

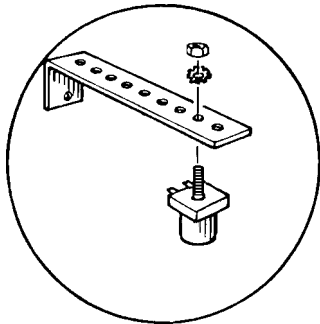


Figure 10

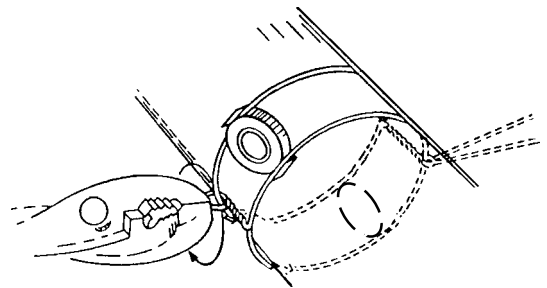


Figure 11



12 MONTH LIMITED WARRANTY

Applies to automotive speed controls.

AUDIOVOX CORPORATION (the Company) warrants to the original retail purchaser of this product that should this product or any part thereof, under normal use and conditions, be proven defective in material or workmanship within 12 months from the date of original purchase, such defect(s) will be repaired or replaced with new or reconditioned product (at the Company's option) without charge for parts and repair labor.

To obtain repair or replacement within the terms of this Warranty, the product is to be delivered with proof of warranty coverage (e.g. dated bill of sale), specification of defect(s), transportation prepaid, to an approved warranty station or the Company at the address shown below.

This Warranty does not extend to the costs incurred for installation, removal or reinstallation of the product, nor to any damage to the vehicle including its engine, drivetrain or electrical systems.

This Warranty does not apply to any product or part thereof which, in the opinion of the Company, has suffered or been damaged through alteration, improper installation, failure to install in accordance with the Installation Manual(s), mishandling, misuse, neglect, accident, or by removal or defacement of the factory serial number/bar code label(s). THE EXTENT OF THE COMPANY'S LIABILITY UNDER THIS WARRANTY IS LIMITED TO THE REPAIR OR REPLACEMENT PROVIDED ABOVE AND, IN NO EVENT, SHALL THE COMPANY'S LIABILITY EXCEED THE PURCHASE PRICE PAID BY PURCHASER FOR THE PRODUCT.

This Warranty is in lieu of all other express warranties or liabilities. ANY IMPLIED WARRANTIES, INCLUDING ANY IMPLIED WARRANTY OF MERCHANTABILITY, SHALL BE LIMITED TO THE DURATION OF THIS WRITTEN WARRANTY. ANY ACTION FOR BREACH OF ANY WARRANTY HEREUNDER INCLUDING ANY IMPLIED WARRANTY OF MERCHANTABILITY MUST BE BROUGHT WITHIN A PERIOD OF 30 MONTHS FROM DATE OF ORIGINAL PURCHASE. IN NO CASE SHALL THE COMPANY BE LIABLE FOR ANY CONSEQUENTIAL OR INCIDENTAL DAMAGES FOR BREACH OF THIS OR ANY OTHER WARRANTY, EXPRESS OR IMPLIED, WHATSOEVER. No person or representative is authorized to assume for the Company any liability other than expressed herein in connection with the sale of this product.

Some states do not allow limitations on how long an implied warranty lasts or the exclusion or limitation of incidental or consequential damage so the above limitations or exclusions may not apply to you. This Warranty gives you specific legal rights and you may also have other rights which vary from state to state.

AUDIOVOX CORPORATION, 150 MARCUS BLVD., HAUPPAUGE, NEW YORK 11788 • (516) 231-6051

Form. No. 128-4699

