

VOH682

Mobile
VIDEO

**Operation
Manual**



Important Notice

It is unlawful in most jurisdictions for a person to drive a motor vehicle which is equipped with a television viewer or screen that is located in the motor vehicle at any point forward of the back of the driver's seat, or that is visible, directly or indirectly, to the driver while operating the vehicle. In the interest of safety, the VOH682 should never be installed where it will be visible, directly or indirectly, by the operator of the motor vehicle.

Please note that the state of Rhode Island forbids the installation of such a device in a motor vehicle.

Television Reception

This entertainment system is designed primarily for viewing pre-recorded movies or playing video games. Television reception in a moving vehicle will be limited and in some areas will not be possible due to weak and variable signal strength. Television viewing in a stationary vehicle will result in an improvement, but may still be marginal due to signal strength. The quality of the picture will not be consistent with home TV reception. Reception may be affected by weather & distance from T.V. station. A weak signal may cause the picture to roll, be snowy, or cause some color loss.

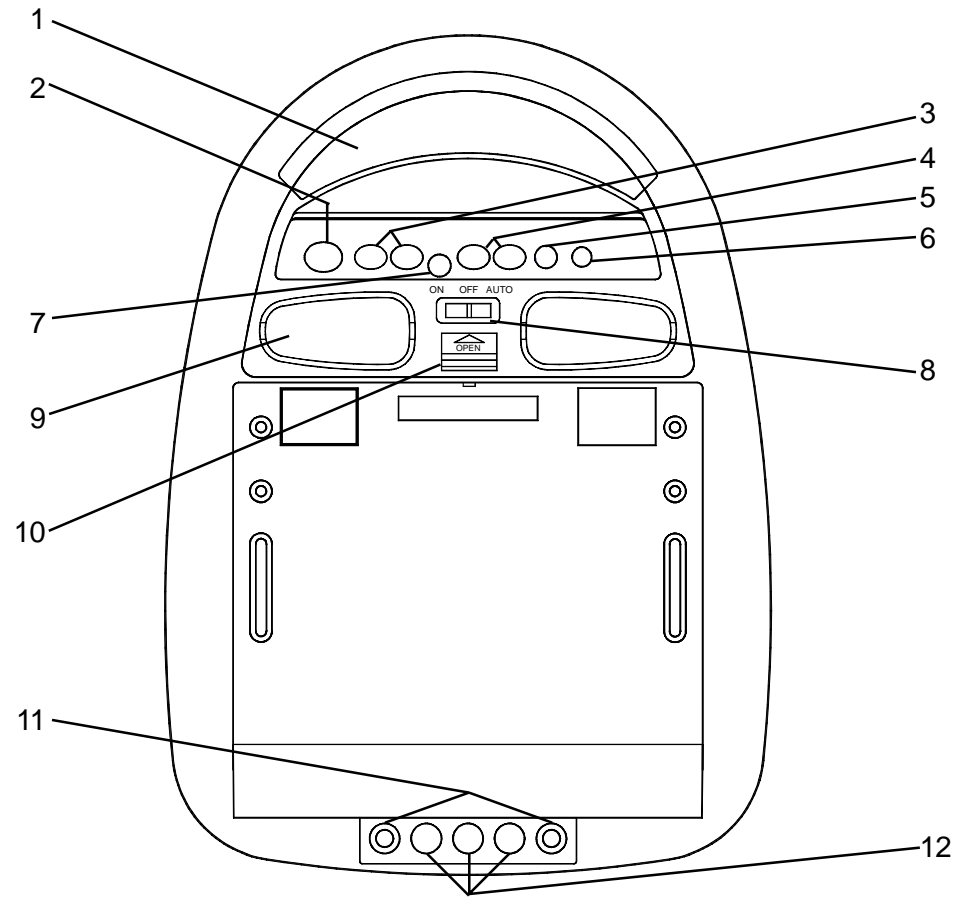
Congratulations on your purchase of the Audiovox VOH682 drop-down TV / Video Monitor. The VOH682 has been designed to give you and your family many years of video entertainment in the mobile environment. Please read the directions that follow to familiarize yourself with the product and to ensure that you obtain the best results from your equipment. **Please note:** Installation options vary, see the individual owner's manuals for each component in your system to obtain a full understanding of each component's operation.

Safety Precaution

For safety reasons, when changing video tapes it is recommended that the vehicle is not in motion, and that you do not allow children to unfasten seatbelts to change tapes or make any adjustments to the system. System adjustments can be accomplished using the remote control unit, while seatbelts remain fastened. Enjoy your Audiovox entertainment system but remember-safety of all passengers remains the number one priority.

Features

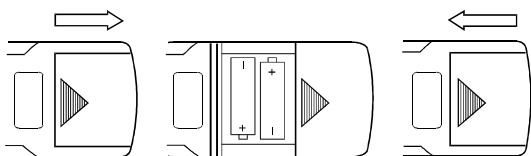
- .. 6.8" TFT (Thin Film Transistor) Active Matrix LCD (Liquid Crystal Display) Monitor
- .. OSD (On Screen Display) for Control of Picture Quality and Functions
- .. Full Function Remote Control
- .. Television Tuner
- .. IR Transmitter for wireless Headphones
- .. Remote Sensor eye
- .. Four Audio / Video Sources
- .. Headphone / Speaker Amplifier
- .. Two Headphone Jacks for Wired Headphones
- .. Built-in Dome Lights
- .. Backlit Controls for Low Light Operation



Front Panel

1. Infrared Transmitter - Used to transmit audio to wireless headphones
2. Power button – (Bright red when system is On, dim when Off)
3. Channel Up/Down – Changes the TV channel
4. Volume Up/Down – Controls volume to headphone jacks and external speakers if connected
5. Auto Pro Switch – Auto Program used to program local channels into TV memory. Press when vehicle is in a new location.
6. Source Select – used to select one of the four A/V sources
7. Sensor Eye – Allows the remote control to operate the VOH682's OSD (On Screen Display), volume to wired headphone jacks (and optional external speakers), and for control of Video Cassette Player and other accessories
8. Three position Dome Light Switch
 - Auto – Automatically switches on the dome lights in conjunction with the vehicle's interior illumination
 - Off – The Dome lights will not turn on in this position
 - On – Turns on the Dome lights.
9. Dome lights – provide additional interior illumination
10. Screen Release – Slides in the direction of the arrow to release the drop down screen
11. Headphone Jacks – allows plug-in of two wired headphones with 1/8" stereo plug.
12. Auxiliary A/V Stereo Input – allows plug-in of camcorder, game, portable DVD player or other A/V source with RCA type output connectors.

REMOTE CONTROL OPERATION



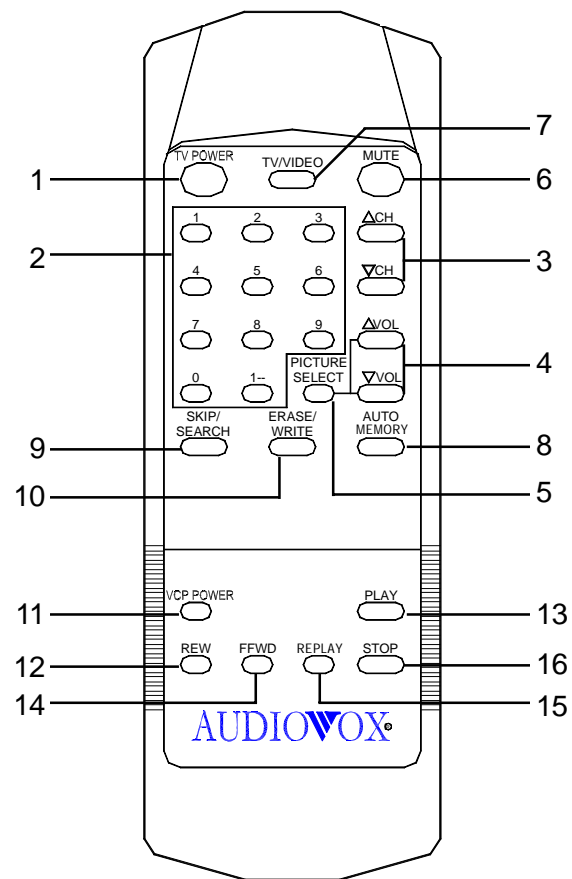
BATTERY INSTALLATION

Before attempting to operate your Remote Control, install the batteries as described below.

- 1) Turn the Remote Control face down. Press down on the ridged area of the battery cover and slide it off.
- 2) Install two "AAA" batteries as shown. Make sure that proper polarity (+ or -) is observed.
- 3) Slide the cover back until it clicks.

The remote control will operate the VOH682, Audiovox Televisions and Video Cassette Players. It is not a universal remote control and will not control equipment from other manufacturers.

If a universal remote control is to be used with the VOH682, choose the remote encoding scheme for Action Televisions when programming the remote.



Remote Controlled TV Functions

1. POWER ON/OFF

Press this button to turn the VOH682 On. The channel number or current video source will be displayed on screen, and the picture will appear in a few seconds. Press the button again to turn the VOH682 Off.

2. DIRECT ACCESS (0-9) BUTTONS

Use these buttons to make a direct channel selection. The channel number chosen will be displayed on the screen for about 4 seconds. The direct access is carried out with 0-9 keys (0-99ch). The "1—" key will not function as it is only used for cable TV reception of channels above 99.

3. CHANNEL UP/DOWN BUTTONS

Use these buttons to advance to the next higher or lower channel. See also: SKIP/SEARCHBUTTON.

4. VOLUME UP/DOWN BUTTONS

Use these buttons to raise or lower the volume level of the headphone jacks or external speaker if installed. They are also used to make picture adjustments in picture select mode.

Note: These buttons will not affect the volume of wireless headphones or a wired RF modulator. When using these devices the volume must be adjusted with the headphone volume control or with your radio's volume control (see pg. 11,

Headphones, or pg. 12, Wired FM Modulator).

5. PICTURE SELECT BUTTON

Each time this button is pressed, the on screen picture adjustment display cycles through "adjustment bars" for CONTRAST, BRIGHTNESS, COLOR and TINT. Once the desired adjustment bar is displayed, use the VOLUME UP/DOWN buttons to adjust the setting. The display will automatically turn off if no adjustments are made within 6 seconds, or if any other button is depressed.

6. MUTE BUTTON

Press this button to shut off the sound at the headphone stations. The screen will display the volume adjustment bar for 6 seconds, indicating that the sound has been turned off. Pressing the button again restores sound to the previously set level. The mute feature may also be released by pressing the VOLUME UP/DOWN BUTTONS.

7. TV/VIDEO BUTTON

Any video equipment connected to the AUDIO/VIDEO inputs can be used with the TV by pressing this button. Each time the button is pressed, the Audio / Video source will change in the following sequence VIDEO 1, VIDEO 2 and TV.

8. **AUTO MEMORY BUTTON**
When the AUTO MEMORY button is depressed, all channels in TV or CATV mode are searched and tuned; all the channels with signals detected are automatically stored. Please refer to page 2 for more information on TV reception.
9. **SKIP/SEARCH BUTTON**
This button selects between SKIP and SEARCH mode. In "SKIP mode" the TV only stops on channels that are programmed into memory when the CHANNEL UP/DOWN buttons are used. When the SKIP mode is off, the TV will stop on all active channels.
10. **ERASE/WRITE BUTTON**
When tuned to a channel press this button to store or erase the channel from memory. The stored channel numbers are displayed in "GREEN" on the screen, and the non-stored channel numbers are in "RED". When the skip mode is on, the VOH682 will tune to only the stored channels when using the CHANNEL UP/DOWN buttons.

Remote Controlled VCP Functions

These features can only be used with an Audiovox Video Cassette Player, if this option was installed with your video package

11. **POWER BUTTON**
This button is used to turn the VCP on and off.
12. **"REW" REWIND BUTTON**
If this button is pushed while the tape is stopped, the tape will rewind. If this button is pushed while the tape is playing, the VCP will go into rewind search mode. For more information consult the Audiovox VCP owner's manual.
13. **PLAY BUTTON**
Press this button to activate play mode while a tape is loaded into the VCP. This button may also be used to disengage search and pause modes. For more information, consult the VCP owner's manual.
14. **"F.FWD." FAST FORWARD BUTTON**
If this button is pushed while the tape is stopped, tape will fast forward. If this button is pushed while the tape is playing, the VCP will go into fast forward search mode. For more information on the search feature of the VCP, consult the VCP owner's manual.
15. **REPLAY BUTTON**
Pressing this button will rewind tape and immediately begin playback when the tape is fully rewound
16. **STOP BUTTON**
Press this button to stop the tape.

CHANNEL TUNING SET UP

In order to easily access all available TV channels, it may be necessary to perform channel auto-programming whenever the vehicle's geographic location has changed, i.e. city to city, weak signal area.

1. Press the AUTO MEMORY button on the Remote Control Unit or the AUTO PROGRAM button on the drop down video unit. You will see the TV cycle through all its channels. The built-in Microprocessor will automatically note each channel that is actively broadcasting in your area.
2. (A) To tune only strong clear channels with the CHANNEL UP/DOWN buttons, press the SKIP/SEARCH button on the Remote Control Unit until "SKIP MODE ON" is displayed on the bottom of the screen. The TV will now tune only to strong active channels when the UP or DOWN buttons are used on the monitor or remote control.
(B) To tune weak or marginal channels with the CHANNEL UP/DOWN buttons, press the SKIP/SEARCH button on the Remote Control Unit until "SKIP MODE OFF" is displayed on the bottom of the screen. Tune to the desired channel using the CHANNEL UP/DOWN buttons or go directly to the channel by using the 0-9 buttons on the Remote Control.

4. To ERASE a channel, press the ERASE/WRITE button on the Remote Control Unit until "MANUAL MEMORY XX ERASE" is displayed on screen. To STORE a channel, press the button until the MANUAL MEMORY XX ADD is displayed on screen.

Note: Please refer to page 2 for more information on TV reception.

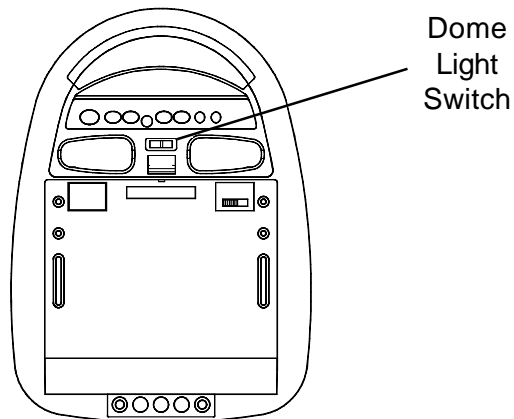
Turning the VOH682 On or Off

- 1 Sliding the screen release lock forward will unlock the LCD screen and it will drop down slightly. Pivot the screen downward until a comfortable viewing angle is reached. The internal friction detent will hold the screen in position while the system is in use.
- 2 Pressing the power button on the pod or the remote will turn the system on or off alternately. When in use the internal backlighting will illuminate the controls.
- 3 After the unit has been turned on and is displaying a picture, adjust the viewing angle, by pivoting the screen to optimize the picture quality.
- 4 Remember to turn the unit off and pivot the LCD to the locked position when not in use.

Operation

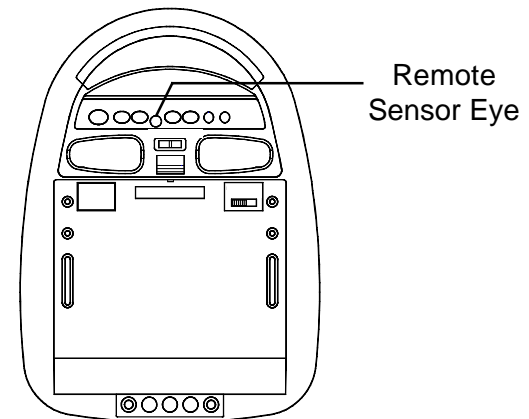
Overhead Dome Lights

The lights integrated into the VOH682 are controlled by a three position slide switch. Sliding the switch to the on position will turn the lights on. The off position will prevent the lights from turning on at all times, and the auto position will allow the lights to turn on and off with the vehicle's interior lighting. Do not leave the vehicle unattended with the dome light switch in the on position, as this could result in a discharged battery.



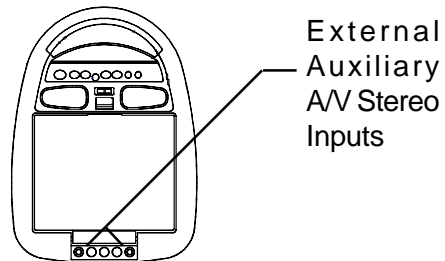
Remote Sensor

The VOH682 incorporates an Infrared sensor which relays signals from the remote control to allow the VOH682 and VCP to be controlled simply by pointing its remote control at the remote sensor eye. This provides control of auxiliary equipment such as an Audiovox Video Cassette Player. The infrared sensor can relay signals from any manufacturer's remote control to its respective component connected to the Video 1 and 2 inputs, such as a DVD player. In this case you must use the remote control supplied with the DVD player.



External Auxiliary A/V Stereo inputs (Aux Video 2)

These inputs are provided to facilitate the temporary connection of optional audio / video equipment, such as a camcorder or video game system. To play a source with these inputs, remove and save the protective plastic cover to access the inputs. Remember to replace the cover when the jacks are not in use. RCA patch cord is required to connect the audio / video signals to their respective jacks. Mono audio sources will require the use of an RCA Y cable (PN 0892165) to connect to both right and left inputs. Whenever, a video source is connected to these inputs, the equipment installed to the Aux Video 2 input will be bypassed. Once the connections have been made, turn the VOH682 on and press the source button on the VOH682 or the TV / Video button on the remote control until "Video 2" is displayed on the screen. The unit will now play the audio and video signals from the accessory connected. The infrared sensor will not operate with components connected to these inputs.



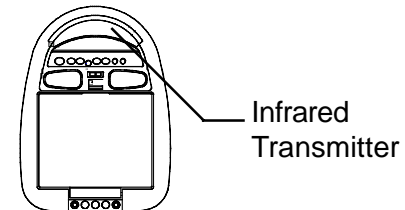
Optional Accessories

Wired Headphones

There are two 1/8" headphone jacks on the VOH682 that can be used with any standard stereo headphones. These jacks are controlled by the volume up / down buttons on the VOH682 or the remote control. Remove and save the protective plastic cover to access the jacks. Remember to replace the cover when the jacks are not in use

Wireless Headphones

The VOH682 includes a built in infrared transmitter for use with Audiovox wireless headphones (PN MVSWS). Turning the headphone switch on, and wearing them activates the internal micro switch which will activate the internal IR receiver and the volume can then be adjusted separately with the controls on each headset. Any number of wireless headphones can be used, but all must be within a line of sight from the transmitter, as infrared transmissions, like visible light travel only in a straight line. See the documentation accompanying your Audiovox wireless headphones.



Wired FM Modulator

Your video system may be equipped with an RF modulator, that allows you to listen to the VOH682's audio signal by tuning your vehicle's radio to the selected frequency, (88.7 or 89.1 - Check with your installer) and turning on the remote mounted RF modulator switch. (In most cases this toggle switch will be located underneath the driver's side of the dash, check with your installer for the exact location.) Whenever the RF modulator is on, broadcast radio reception will be poor. Turning the remote mounted toggle switch off will allow normal radio reception.

Video Output

The VOH682 provides a video output for an optional video monitor(s). (Refer to page 7 of the installation guide for more details.) This output will provide a video signal that duplicates the signal displayed by the VOH682 to an additional monitor or video display. Please see your installer for more information.

Audiovox Video Cassette Player (Aux Video 1)

In most installations a VCP will be connected to the "Video 1" input. To view a video cassette, turn the VOH682 On and press the source button on its control panel or the TV / Video button on the remote control until "Video 1" is displayed on the screen. The VCP may also be operated with the remote or the buttons on its face. The VOH682 is now ready to play the audio and video signals from the VCP if it is connected to the "Video 1" input. Inserting a tape into the VCP will turn it on and automatically activate the play mode. If a rewind tape had already been loaded into the VCP, prior to its activation press play on the VCP or on the remote control to view the tape. For more information see the operator's manual accompanying your VCP.

Aux Video 2

The second video input may be connected to a DVD player, video game system, or other audio / video input. To play the Video 2 source, turn the VOH682 on and press the source button on the VOH682 or the TV / Video button on the remote control until "Video 2" is displayed on the screen. Turn the source component on with its power button or remote control. The VOH682 is now ready to play the audio and video signals from the source connected to video 2 inputs. Remember, the equipment connected to this input will be bypassed whenever the External Auxiliary A/V Stereo inputs are used. Please refer to the external auxiliary input section for more detailed information.

Warnings

- ❖ Do not use any solvents or cleaning materials when cleaning the video system.
- ❖ Do not use any abrasive cleaners, they may scratch the screen. Use only a lightly dampened lint free cloth to wipe the screen if it is dirty.
- ❖ Lock the LCD screen in the fully closed position when not in use.
- ❖ Before putting on headphones always adjust the volume setting to the lowest position.
- ❖ Remember to leave the dome light switch in the off or auto positions when the vehicle is unattended, as the dome lights, if left on, can drain the vehicle's battery.
- ❖ Do not put pressure on the screen.
- ❖ Caution children to avoid touching or scratching the screen, as it may become dirty or damaged.

Troubleshooting

<u>PROBLEM</u>	<u>SOLUTION</u>
Poor TV reception	<ul style="list-style-type: none"> • Perform auto programming of the tuner. • Verify antenna condition. • Note: Due to the nature of TV signals, vehicle motion, direction the vehicle is facing, distance from the transmitter, nearby surroundings and weather may adversely affect TV reception. These conditions may result in the following: picture roll, "snowy" picture, or momentary loss of color. Please refer to page 2 for more information on TV reception.
Poor radio reception (FM modulator installed)	<ul style="list-style-type: none"> • Check the condition of the vehicle's radio antenna. • Verify that the antenna is fully raised. • If a wired RF modulator has been installed, verify that its switch is turned to the off position.
IR sensor inoperative	<ul style="list-style-type: none"> • Verify that the batteries in the remote are fresh. • Verify that the remote sensor eye is not obstructed. • Verify that the infrared transmitter is affixed over the sensor eye of the component to be controlled.

Replacement Parts

Remote Control	1361612
External Input Cover	1023336

Specifications

LCD Backlighting	Edge Light Tube
Resolution	1152 x 234
Pixels	269,568
Operation Temperature	0 - 40° C
Storage Temperature	-20 - 80° C
Expected Backlight life	10,000 Hours
Sensitivity	35db
Video Display System	NTSC
Audio Output	0.6W @ 16 w

Printer: Leave this page blank

